

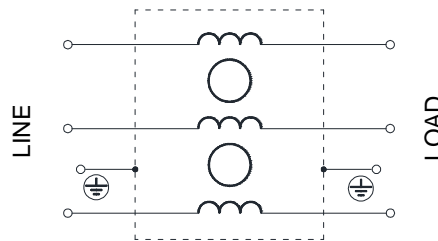
1 Features

- 3-phase 3-wire reactor, widely used in inverter’s output
- Excellent in EMI control
- Customization accepted

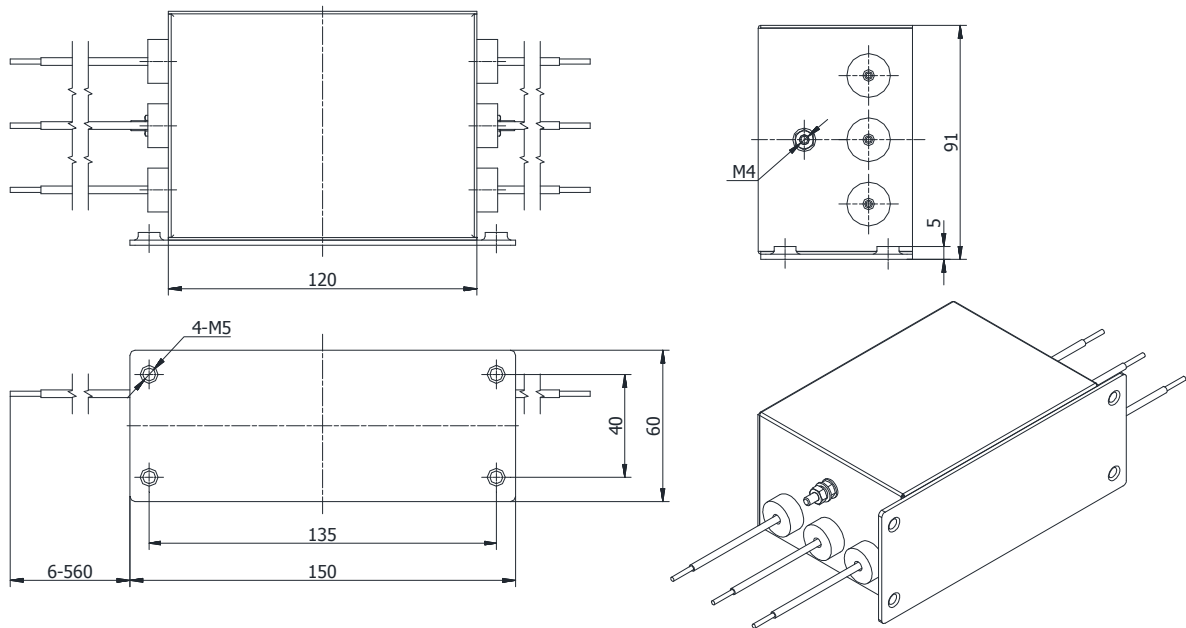
2 Technical Data

Type	Rated Voltage	Rated Current	Hi-Pot Test Voltage	
			Line-Line	Line-Ground
DNF51-REC-3X16A	440V/50~60Hz	16A	1500VDC,2s	1500VAC,2s
DNF51-REC-3X20A	440V/50~60Hz	20A	1500VDC,2s	1500VAC,2s
DNF51-REC-3X30A	440V/50~60Hz	30A	1500VDC,2s	1500VAC,2s

3 Electrical Schematic



4 Dimensions (Unit:mm)



5 Installation Instructions

- 1) Good electrical connection is needed between filter casing and equipment shell.
- 2) Connecting the filter's input and output according to the provision on the label of LINE and LOAD.
- 3) The input wiring and the output wiring should be strictly separated, cannot be bundled together.