

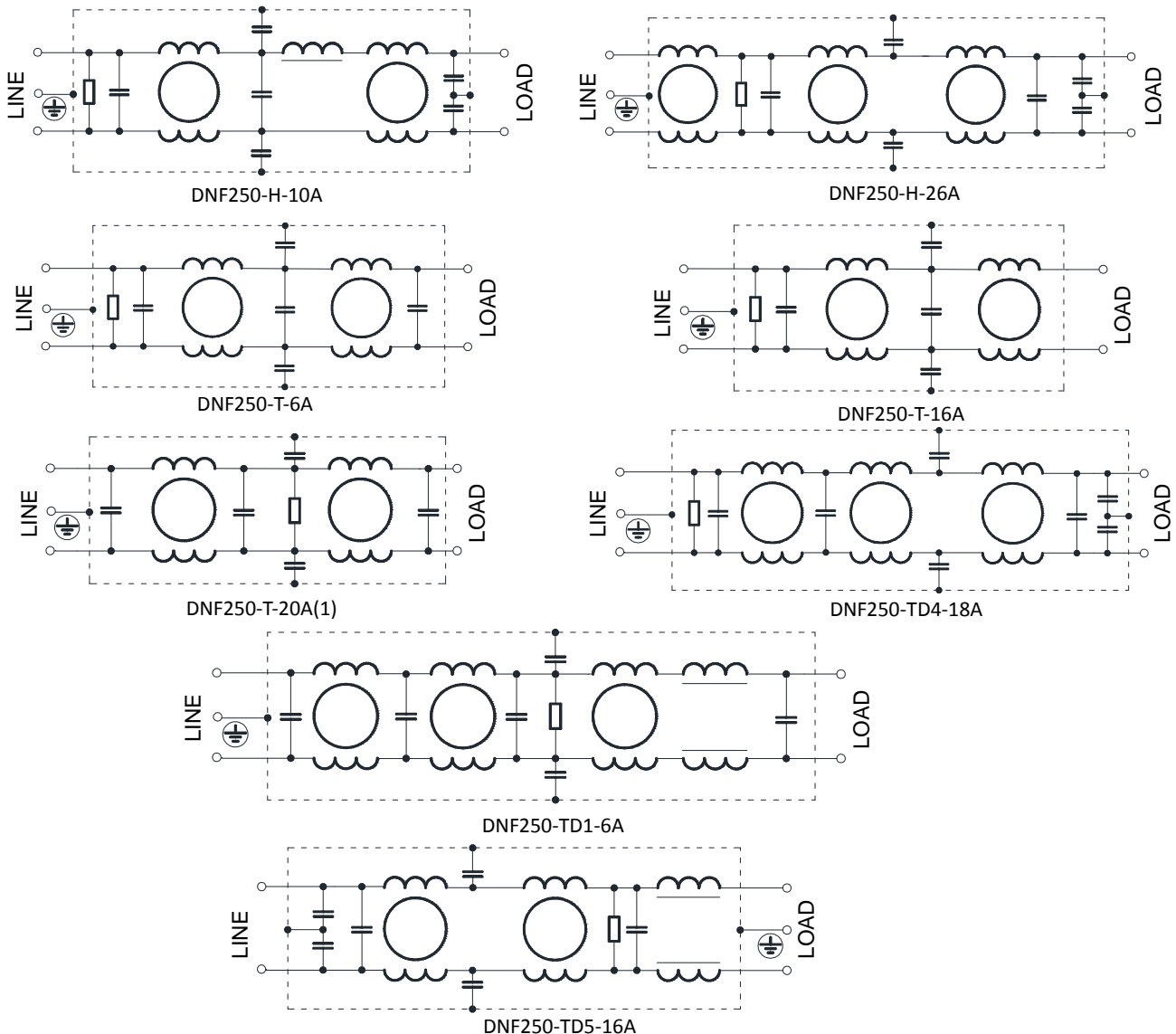
1 Features

- Multi-stage filter with excellent insertion losses at a wide frequency range
- Applicable to the Switching Power Supplies, UPS and other industrial automatic –control equipment
- CE approved
- Customization accepted

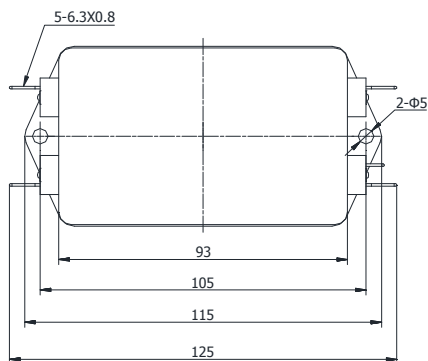
2 Technical Data

Type	Rated Voltage	Rated Current	Hi-Pot Test Voltage	
			Line-Line	Line-Ground
DNF250-H-10A	250V-50/60Hz	10A	1800VDC,2s	1800V-50/60Hz,2s
DNF250-H-26A	500VDC/440V-50/60Hz	26A	1800VDC,2s	1800V-50/60Hz,2s
DNF250-T-6A	250V-50/60Hz	6A	1800VDC,2s	1800V-50/60Hz,2s
DNF250-T-16A	250V-50/60Hz	16A	1800VDC,2s	1800V-50/60Hz,2s
DNF250-T-20A(1)	250V-50/60Hz	20A	1800VDC,2s	1800V-50/60Hz,2s
DNF250-TD1-6A	115V/250V/-50/60Hz	6A	1800VDC,5s	1800V-50/60Hz,5s
DNF250-TD4-18A	380VDC/250V-50/60Hz	18A	1800VAC,2s	1800VDC,2s
DNF250-TD5-16A	250V-50/60Hz	16A	1800VAC,2s	1800VDC,2s

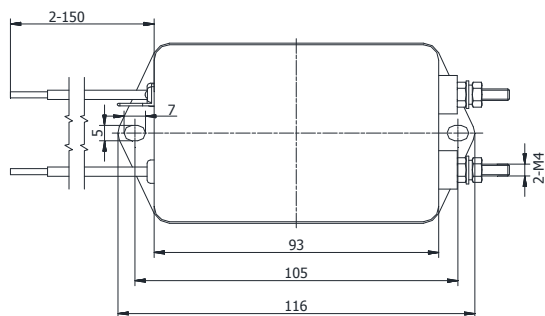
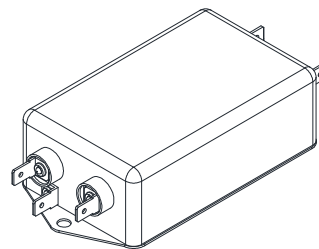
3 Electrical Schematic



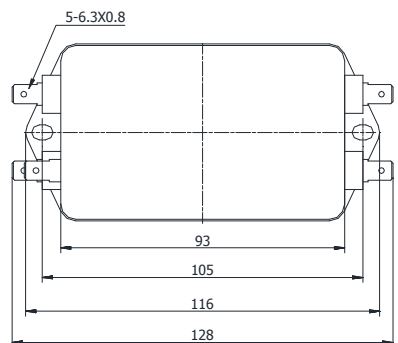
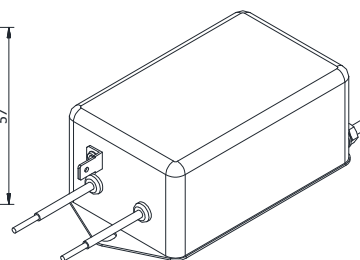
4 Dimensions (Unit:mm)



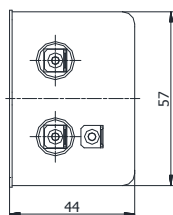
DNF250-H-10A



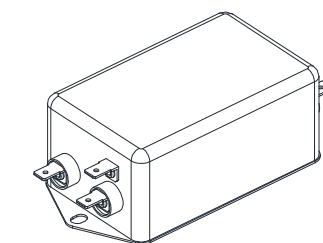
DNF250-H-26A



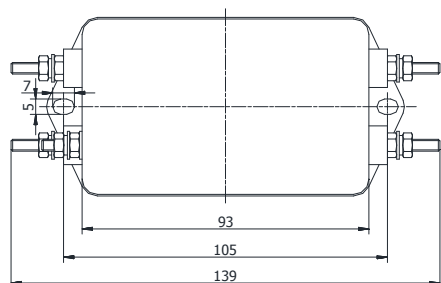
DNF250-T-6A



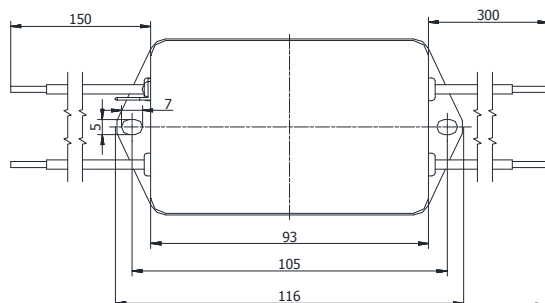
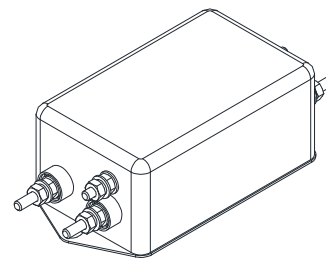
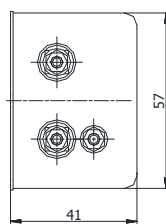
DNF250-TD1-6A



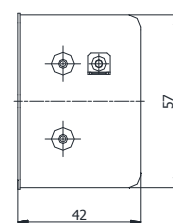
DNF250-T-16A



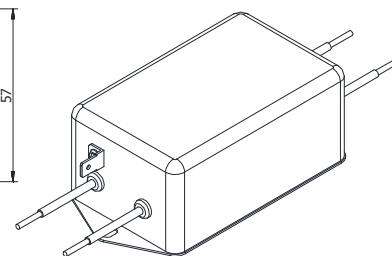
DNF250-T-20A(1)



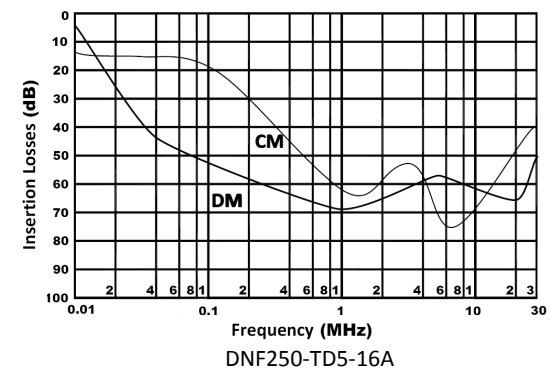
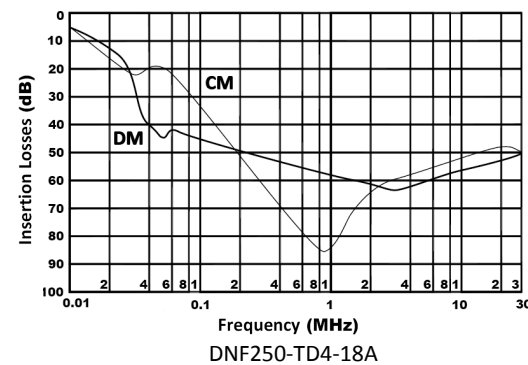
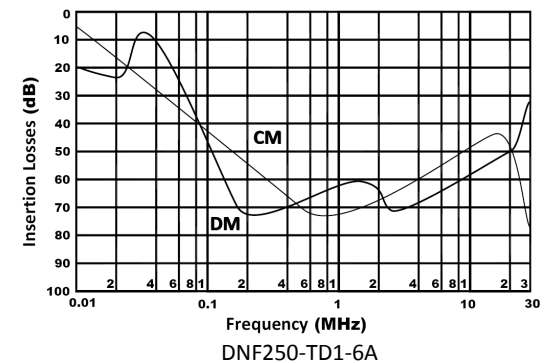
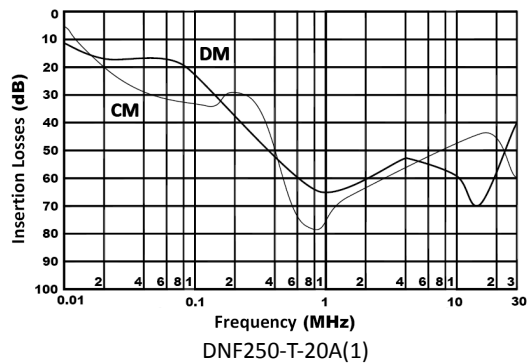
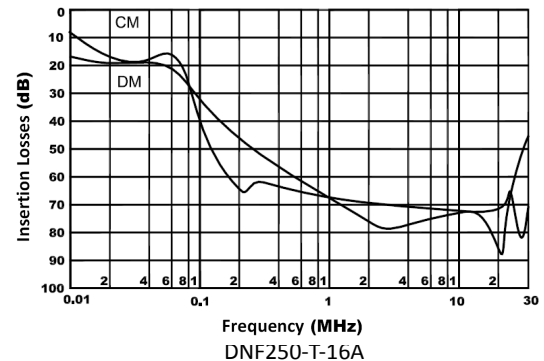
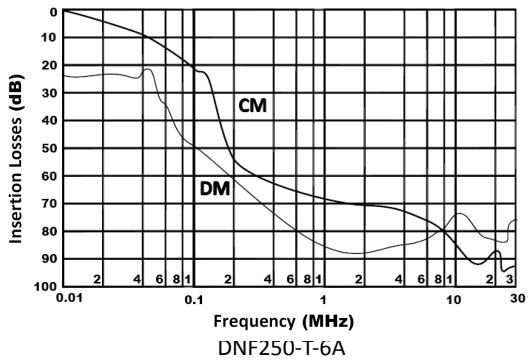
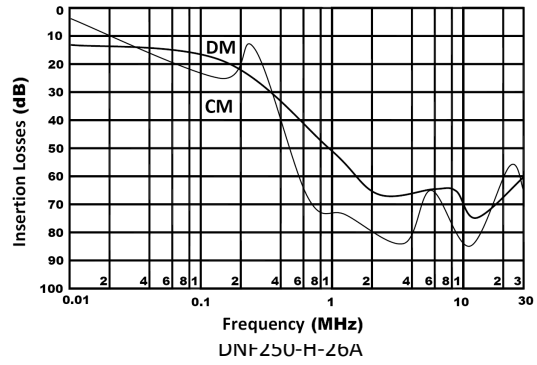
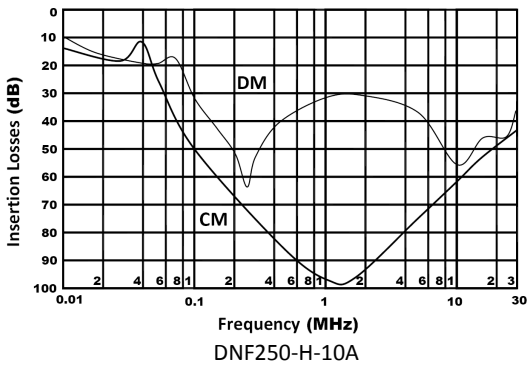
DNF250-TD4-18A



DNF250-TD5-16A



5 Typical Insertion Losses In 50Ω System: (CM-Common Mode DM-Different Mode)



6 Installation Instructions

- 1) Good electrical connection is needed between filter casing and equipment shell.
- 2) Connecting the filter's input and output according to the provision on the label of LINE and LOAD.
- 3) The input wiring and the output wiring should be strictly separated, cannot be bundled together.