

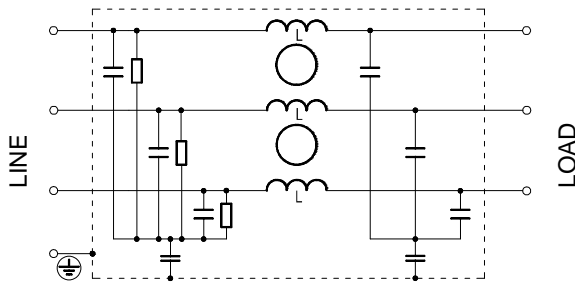
1 Features

- High performance
- Excellent characteristics of electromagnetic interference suppression
- Customization accepted

2 Technical Data

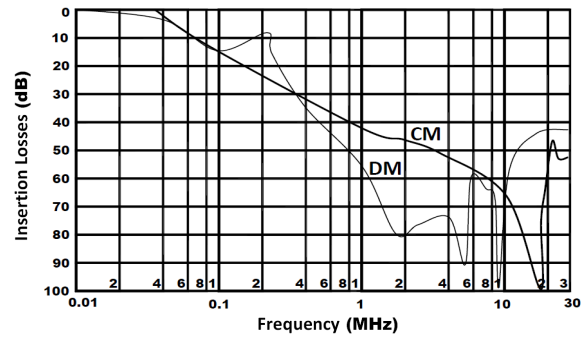
Type	Rated Voltage	Rated Current	Hi-Pot Test Voltage	
			Line-Line	Line-Ground
DNF55-Y-3×40A	440V-50/60Hz	40A	1800VDC,2s	2000V-50/60Hz,2s
DNF55-Y-3×60A	440V-50/60Hz	60A	1800VDC,2s	2000V-50/60Hz,2s
DNF55-Y-3×80A	440V-50/60Hz	80A	1800VDC,2s	2000V-50/60Hz,2s

3 Electrical Schematic

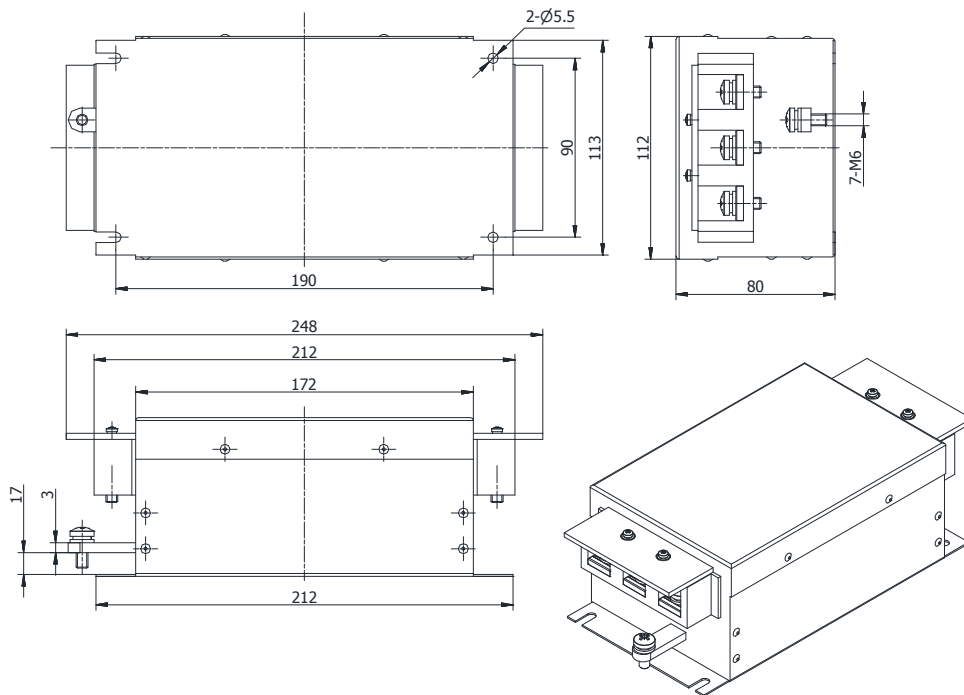


4 Typical Insertion Losses In 50Ω System:

(CM-Common Mode DM-Different Mode)



5 Dimensions (Unit:mm)



6 Installation Instructions

- 1) Good electrical connection is needed between filter casing and equipment shell.
- 2) Connecting the filter's input and output according to the provision on the label of LINE and LOAD.
- 3) The input wiring and the output wiring should be strictly separated, cannot be bundled together.